



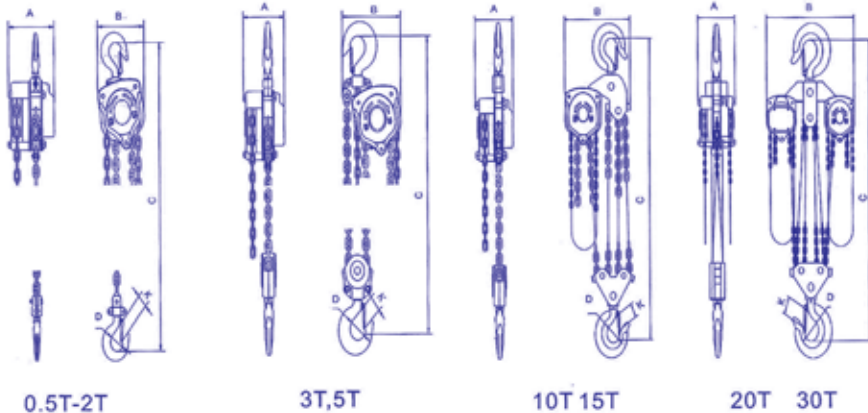
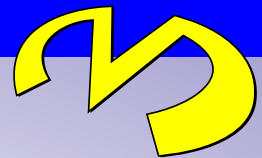
MyTe

Lifting Equipment

CHAIN BLOCK



Chain Block Specifications



Capacity	t	0.5	1	1.5	1.5	2	2	3	3	5	5	7.5	10	10	15	20	20	30	
Standard lift	m	3	3	3	3	3	3	3	3	3	3	3	3	3	3	3	3	3	
Running test load	KN	7.5	15	22.5	22.5	30	30	45	45	75	75	112.5	150	150	225	300	300	450	
Effort required to lift rated load	N	225	300	310	350	300	310	350	370	400	415	415	410	415	420	410*	410*	410*2	
Diameter of load chain	mm	5	6	7.1	8	6	8	7.1	8	9	10	10	9	10	10	9	10	10	
Strands of load chain		1	1	1	1	2	1	2	2	2	2	3	4	4	6	8	8	12	
Dimensions	A	mm	132	152	152	155	152	185	152	155	185	189	189	185	189	194	220	224	274
	B	mm	152	157	180	180	170	207	207	207	267	267	380	380	380	400	440	440	649
	C	mm	315	355	375	375	405	430	500	500	680	680	650	750	750	880	940	940	1100
	D	mm	34	38	48	48	48	48	50	50	57	57	72	80	80	85	106	106	120
	K	mm	27	27	36	36	36	36	38	38	48	48	47	51	51	58	70	70	80
Net weight	kg	8.5	11	13.5	14.5	14.5	17.5	20.5	23	36.5	39.5	44	60	65	102	146	156	246	
Packing measurement	CM	34.5x19x14	36x19x18	38.5x21x18	38.5x21x18	41x21x18	46x21.5x19	46x21.5x19	46x21.5x19	61x29x23	61x29x23	67x42x23	67x42x23	91x42x23	91x42x23	106x71x23	106x71x23	144x71x23	
Extra weight per metre of extra lift	kg	1.3	1.6	2	2.3	2.2	2.3	3.2	3.7	4.5	5.3	7.5	8.1	9.7	14	16.2	19.3	28.2	

★ As our products are incessantly being improved and developed, their structures may be slightly different from this instruction.

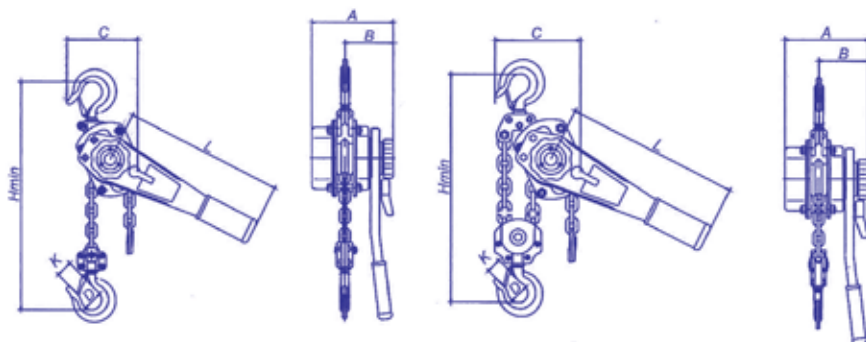
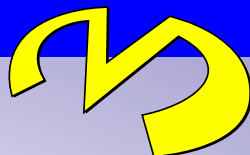
Subject to technical changes without prior notice.



LEVER HOIST



Lever Hoist Specifications



Capacity	tons	0.75	1	1.5	2	3	6	9
Standard lift	m	1.5	1.5	1.5	1.5	1.5	1.5	1.5
Running test load	Kn	11.2	15	22.5	30	45	75	112.5
Effort required to lift max. Load	N	140	140	220	220	320	340	360
No. of columns of load chain		1	1	1	1	1	2	3
Load chain diameter	mm	6	6	8	8	10	10	10
Dimensions (mm)	A	145	145	175	175	195	195	195
	B	86	86	100	100	115	115	115
	C	134	134	150	150	190	242	307
	D	38	38	48	48	50	65	81
	H	340	340	380	380	490	620	700
	L	285	285	410	410	410	410	410
	K	27	27	36	36	38	48	54
Net weight	kg	9.5	9.5	11.5	11.5	18.5	27.5	46
Packing measurement	cm	37.5x16x16	37.5x16x16	52x17x22	52x17x22	55x18.5x22.5	57x21x23	60x42x28
Extra weight per meter extra lift	kg	0.8	0.8	1.4	1.4	2.2	4.4	6.6

★ As our products are incessantly being improved and developed, their structures may be slightly different from this instruction.

Subject to technical changes without prior notice.