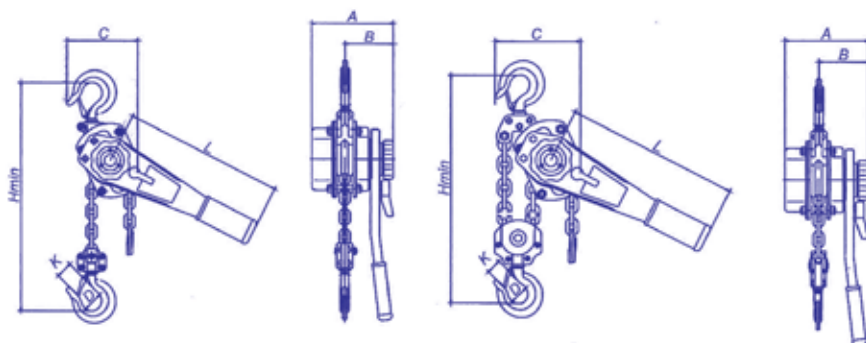
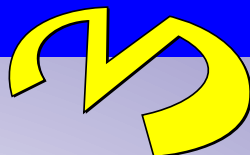




LEVER HOIST



Lever Hoist Specifications



Capacity	tons	0.75	1	1.5	2	3	6	9
Standard lift	m	1.5	1.5	1.5	1.5	1.5	1.5	1.5
Running test load	Kn	11.2	15	22.5	30	45	75	112.5
Effort required to lift max. Load	N	140	140	220	220	320	340	360
No. of columns of load chain		1	1	1	1	1	2	3
Load chain diameter	mm	6	6	8	8	10	10	10
Dimensions (mm)	A	145	145	175	175	195	195	195
	B	86	86	100	100	115	115	115
	C	134	134	150	150	190	242	307
	D	38	38	48	48	50	65	81
	H	340	340	380	380	490	620	700
	L	285	285	410	410	410	410	410
	K	27	27	36	36	38	48	54
Net weight	kg	9.5	9.5	11.5	11.5	18.5	27.5	46
Packing measurement	cm	37.5x16x16	37.5x16x16	52x17x22	52x17x22	55x18.5x22.5	57x21x23	60x42x28
Extra weight per meter extra lift	kg	0.8	0.8	1.4	1.4	2.2	4.4	6.6

★ As our products are incessantly being improved and developed, their structures may be slightly different from this instruction.

Subject to technical changes without prior notice.